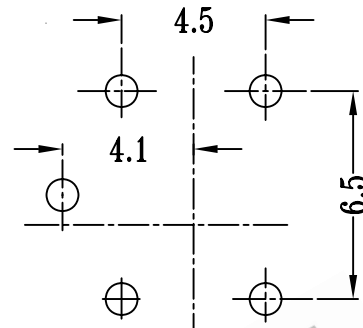
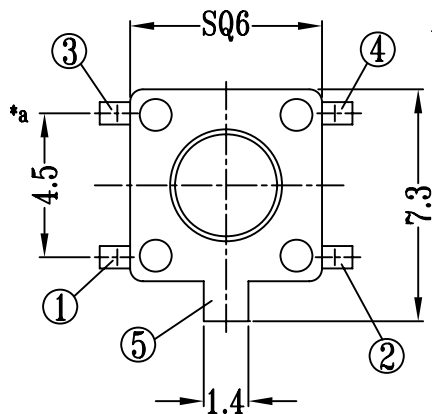
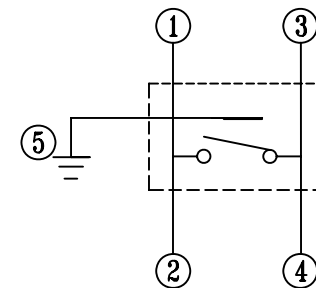


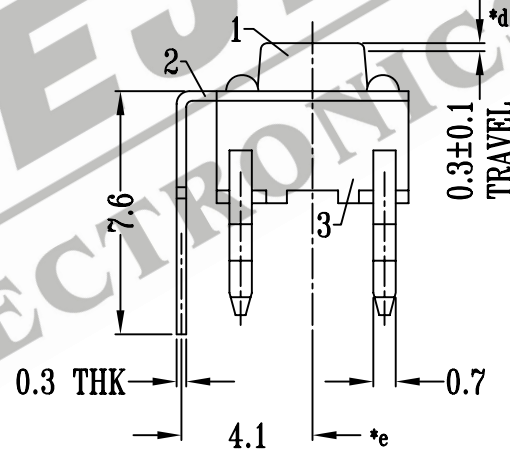
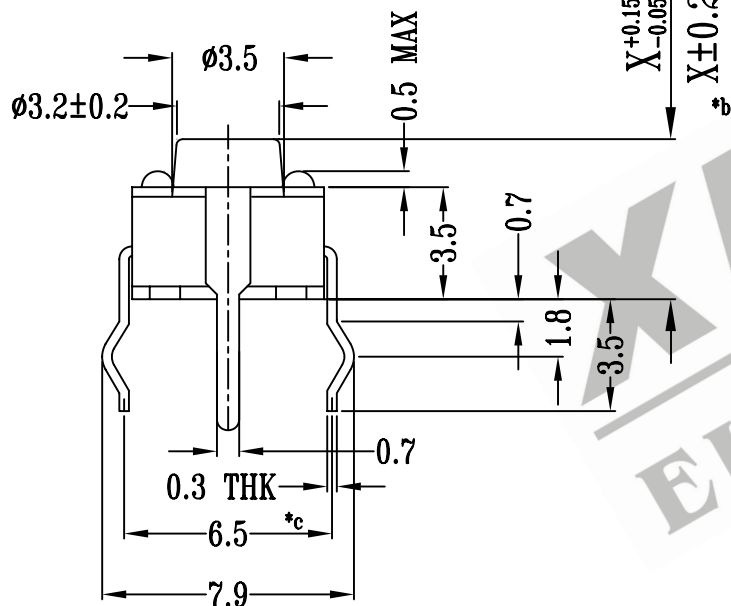
CAD FILE:



P.C.B LAYOUT



SCHEMATIC



MODEL NO.	KNOB TAPY	X
TC-119A	TC0111 KNOB	17.0
TC-A110	TC0110 KNOB	13.5
TC-A119	TCA109 KNOB	13.0
TC-0119	TC0109 KNOB	12.5
TC-0118	TC0108 KNOB	9.5
TC-A117	TCA107 KNOB	9.0
TC-0117	TC0107 KNOB	8.5
TC-0116	TC0106 KNOB	8.0
TC-0115	TC0105 KNOB	7.3
TC-0114	TC0104 KNOB	7.0
TC-0113	TC0103 KNOB	5.0
TC-0112	TC0102 KNOB	4.3
TC-A111	TC0101 KNOB	4.2

OPERATING FORCE	CODE
100gf	T
130gf	V
160gf	X
170gf	W
190gf	Y
250gf	Z

注:带*表示关键尺寸(5个)

NO.	PARTS	MATERIALS	Q'TY	FINISH	TOLERANCE UNLESS SPECIFIED	SHENZHEN XIEJIA ELECTRONICS CO.,LTD.				
8					WITHIN: 1.5±0.1mm OVER: 1.5±0.2mm	ISSUE	DATE	DESCRIPTIONS OF REVISION		APPD.
7										
6										
5										
4	CONTACT	PBS	1	Ag CLAD	TITLE : TACT SWITCH MODEL: TC-0112~0119 ALL MATERIALS MUST BE COMPLIANT TO ROHS	UNIT : mm	SCALE: 4:1	DRWG NO.: XJ-DR-TC0112-00		
3	CASE	NYLON+F.G	1	BLACK/Ag PLATED OVER Ni PLATED				DWN.	ZHOUYU	2004-11-27
2	COVER	ZINC PLATE	1	Sn PLATED				CHK'D	FANGYING	2004-11-27
1	KNOB	POM/NYLON+F.G/PA9T	1	AS PER IPO				APPD.	KANGXINAN	2004-11-27